



### APPLICATIONS

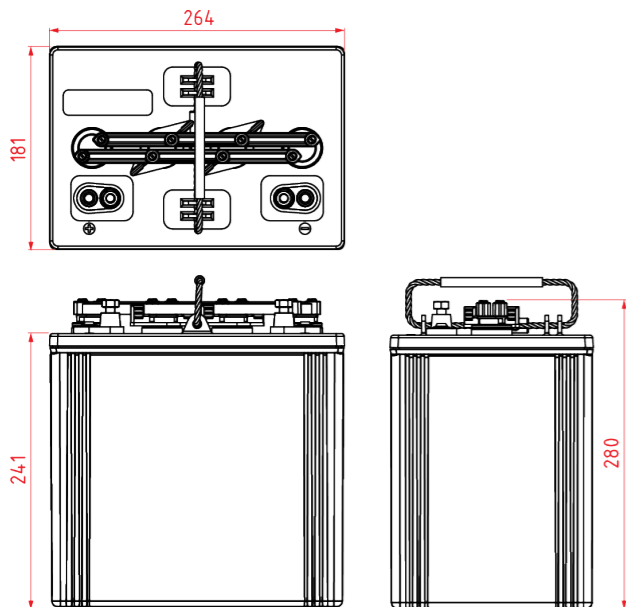
- Golf cart
- Reach truck
- Buggy cart
- Other general purpose

### GENERAL FEATURES

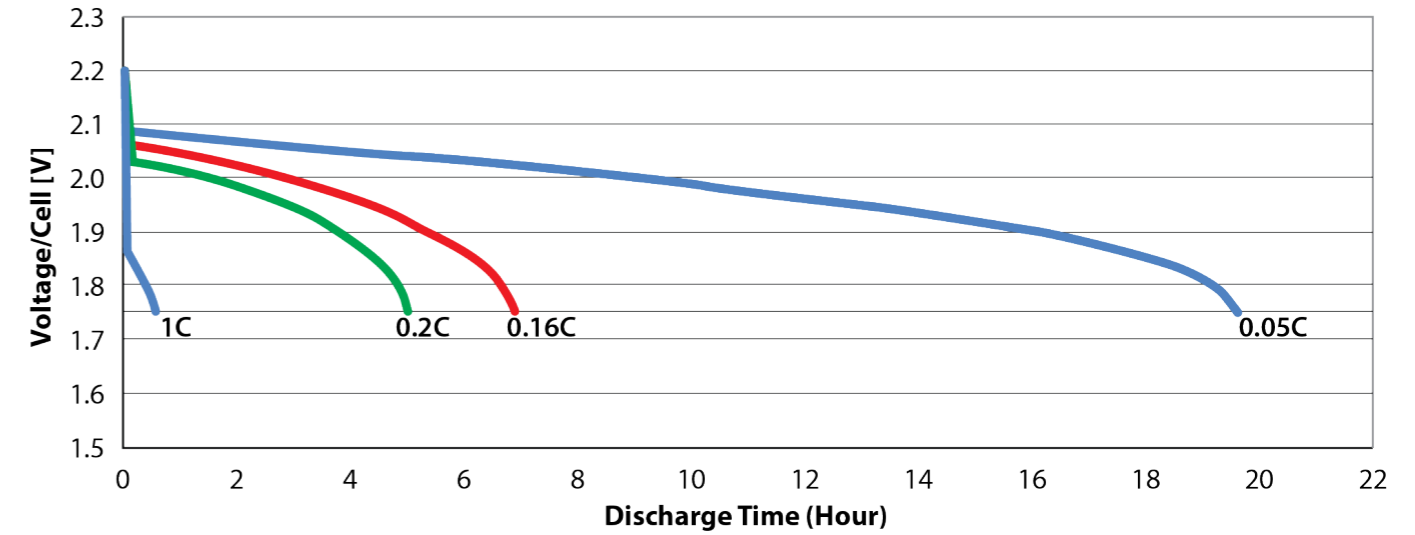
- High power efficiency
- Longer life time
- Low maintenance level
- Longer discharge time

### SPECIFICATION

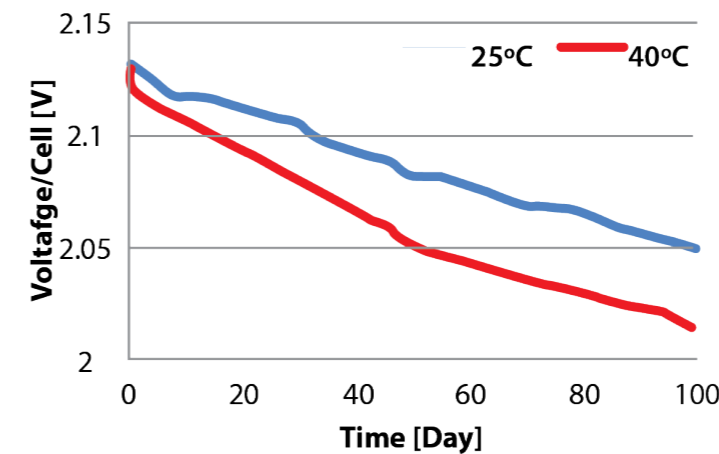
|                        |   |
|------------------------|---|
| Nominal voltage        | 8V  |
| Nominal capacity       | 165Ah                                       |
| Reserve capacity       | 90 Min. (at 75A)                            |
|                        | 135 Min. (at 56.25A)                        |
|                        | 340 Min. (at 25A)                           |
| Terminal               | M8  |
| Dimension (LxWxHxTH)   | 264 x 181 x 241 x 280 mm                    |
| Weight                 | 28.5 kg (Approx.)                           |
| Container material     | Polypropylene                               |
| Rated capacity         | 165Ah (20 hour rate)                        |
|                        | 155Ah (10 hour rate)                        |
|                        | 150Ah (5 hour rate)                         |
| Internal resistance    | 3.5 mΩ (Full charge at 25°C )               |
| Max. discharge current | 250 A (5s)                                  |
| Operating temperature  | Discharge : -20~40°C                        |
|                        | Charge : -20~40°C                           |
|                        | Storage : -20~40°C                          |
| Charge methode (25°C)  | Charge current : Max. 16.5A                 |
|                        | Standby use : 9.00~9.20V, recommended 9.00V |
|                        | Cycle use : 9.80~10.00V, recommended 10.00V |
| Self discharge         | 5% capacity decline per month at 25°C       |



### Capacity by Discharge Current



### Self Discharge



### Depth of Discharging Cycling Test

